

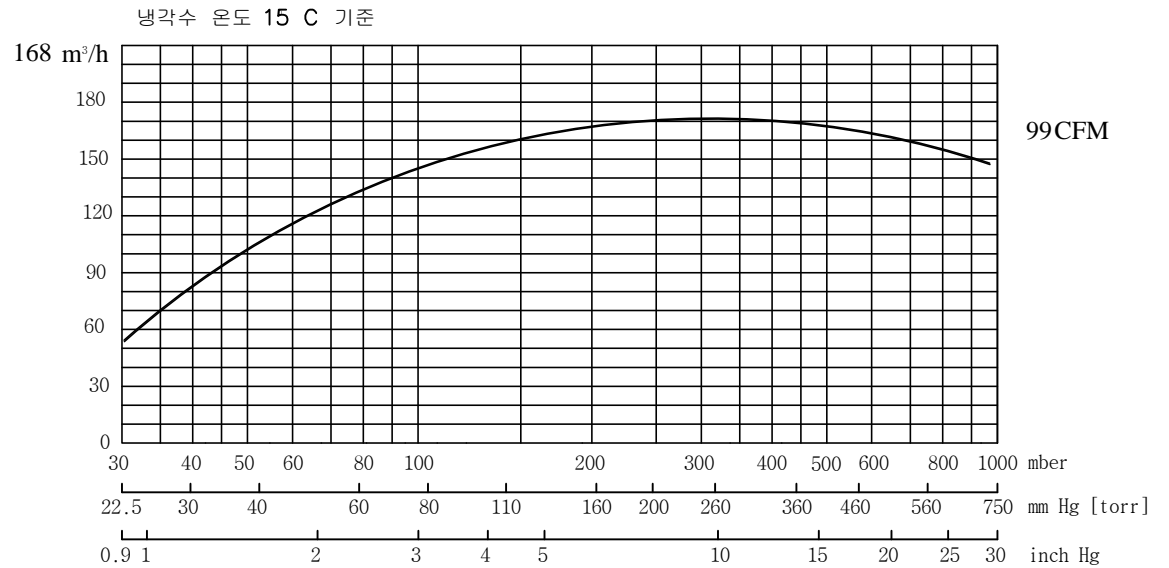
SPECIFICATIONS

Design	2280 Lit./min(50Hz)
Displacement	2850 Lit./min(60Hz)
Speed	2800 r.p.m. (50Hz)
	3600 r.p.m. (60Hz)
Normal usage vacuum pressure	Under Torr
Attainable vacuum pressure	Max 17 Torr
Suction port diameter	NPT 40A (2) (Option:B.S.P.T)
Motor	Motor (3-Phase 220/380V 60Hz 5.5kW 2P)
Water Capacity	15°C 14 L/MIN
Weight	60 Kg ()
Painting	Color- VL951 (Company's standard)
Allowable ambient temp.	-10 - 40C

-1 Excluding motor and some other parts.
 -B3B5 MOTOR IEC FANGE

Curve referred to dry air at 20°C (68°F)

배기량 SUCTION CAPACITY



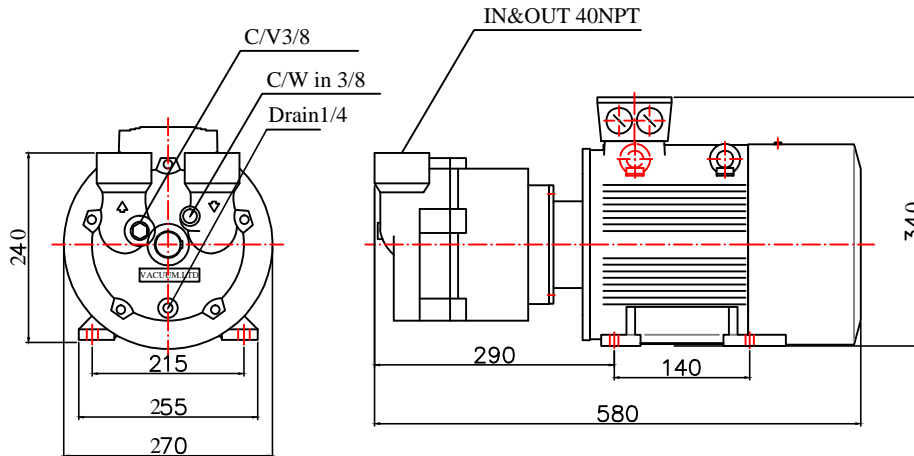
ACCESSORIES(Option)

- Vacuum Manual Valve
- Vacuum gauge
- Vacuum Check Valve
- Separator Tank

CONSUMABLE LIST

(Vacuum.ENG GENUINE PARTS)

Designation	Specification	Quantity/set
M/C SEAL	BELLOWS TYPE 33	1
Bearing	F#6308 R#6208ZZ Heat - resisting grease	1
BASE PLET	Option	1
Cavitation Valve	Option	1



-BASE는OPTION임 모타는SIMENS

DWG DATE	SCALE	N/S	[Symbol]	TITLE	WATER RING V/P
2020.2.				CLIENT	
DWGBY	DESNBY	CHDBY	APPROVE	LOCATION	
VACUUM ENGINEERING				DWG NO	JDRP-7M2