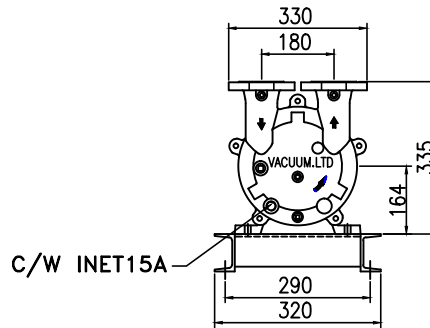
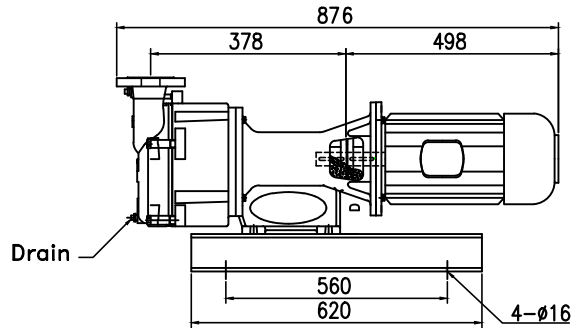
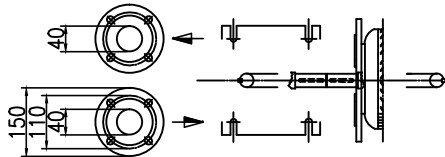


## SPECIFICATIONS

Design	2080 Lit./min(50Hz)
Displacement	2600 Lit./min(60Hz)
Speed	1400 r.p.m. (50Hz)
	1750 r.p.m. (60Hz)
Normal usage vacuum pressure	Under Torr
Attainable vacuum pressure	Max 22.5Torr
Suction port diameter	DIN 40A (2) (Option:B.S.P.T)
Motor	Vertical Motor Standard 3-Phase 220/380V 60Hz 5.5kW 4P
Water Capacity	15°C기준 12L/MIN
Weight	140 Kg
Painting	Color- VL951 (Company's standard)
Allowable ambient temp.	-10 - 40°C

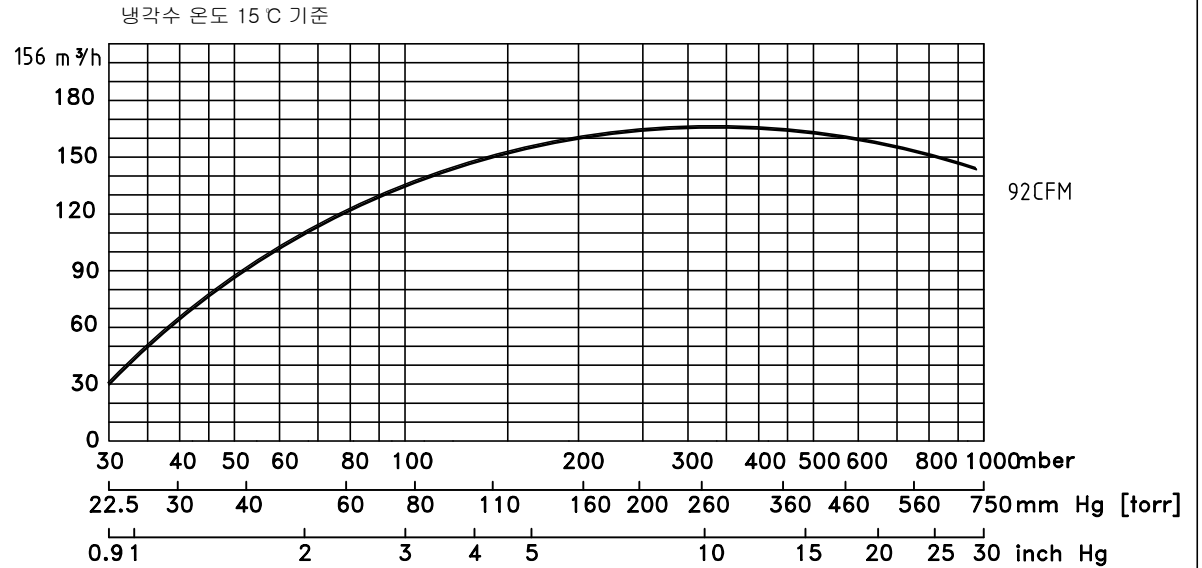
- 1 Excluding motor and some other parts.
- IEC FANGE MOTOR 부착기준



- 품질 개선을 위해서 예고없이 변경 될수 있음.
- Not binding dimension that can change according to motor make

Curve referred to dry air at 20°C (68°F)

배기량 SUCTION CAPACITY



### ACCESSORIES(Option)

- Vacuum Manual Valve
- Vacuum gauge
- Vacuum Check Valve
- Separator Tank

### CONSUMABLE LIST

(Vacuum.ENG GENUINE PARTS)

Designation	Specification	Quantity/set
M/C Seal	Ø45	1
Bearing	6307,6206 ZZ (Special Heat - resisting grease)	각 1
Half Coupling	Ø100	1
Shaft Key	Ø28 8x4	1

DWG DATE 2020.00.00	SCALE N/S		TITLE WATER RING V/P
DWGBY	DESNBY	CHDBY	APPROVE
			CLIENT
			LOCATION
진공엔지니어링			DWG NO JDRP-7S