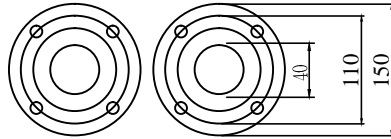


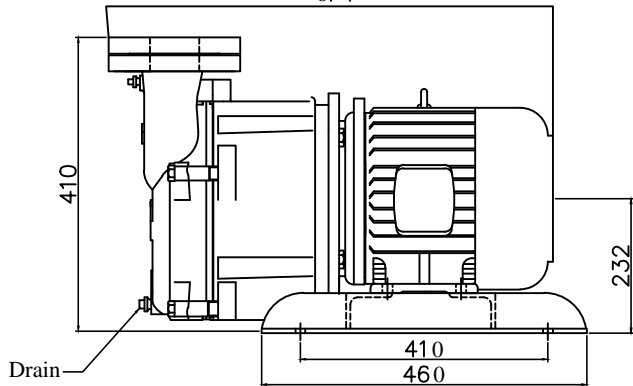
## SPECIFICATIONS

Design	2640 Lit./min(50Hz)
Displacement	3300 Lit./min(60Hz)
Speed	1400 r.p.m. (50Hz)
	1750 r.p.m. (60Hz)
Normal usage vacuum pressure	Under Torr
Attainable vacuum pressure	Max 22.5Torr
Suction port diameter	DIN 40A (2) (Option:B.S.P.T)
Motor	B3B5 Motor ( ) 3-Phase 220/380V 60Hz 7.5kW 4P
Water Capacity	15°C 16 L/MIN
Weight	115 Kg
Painting	Color- VL951 (Company's standard)
Allowable ambient temp.	-10 - 40C

- 1 Excluding motor and some other parts.
- B3B5 MOTOR IEC FANGE

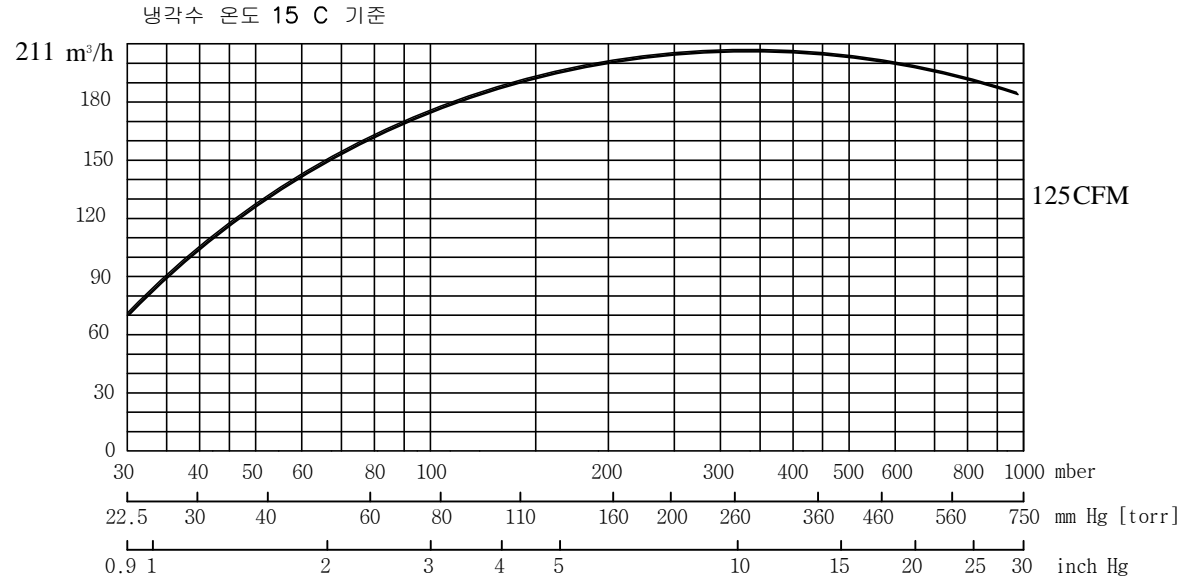


674



Curve referred to dry air at 20°C (68°F)

배기량 SUCTION CAPACITY



### ACCESSORIES(Option)

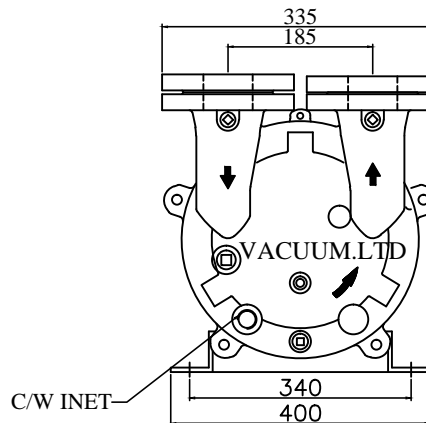
- Vacuum Manual Valve
- Vacuum gauge
- Vacuum Check Valve
- Separator Tank



### CONSUMABLE LIST

(Vacuum.ENG GENUINE PARTS)

Designation	Specification	Quantity/set
M/C Seal	ø55( )	1 EA
Bearing	F#6308 R#6208 ZZ Heat - resisting grease	1 EA
Coupling		
Cavitation Valve		



- 품질 개선을 위해서 예고없이 변경 될수 있음.
- Not binding dimension that can change according to motor make

DWG DATE	SCALE	N/S		TITLE	WATER RING V/P
2020.03.15				CLIENT	
DWGBY	DESBNBY	CHDBY	APPROVE	LOCATION	
				DWG NO	JDRP-9M(m)