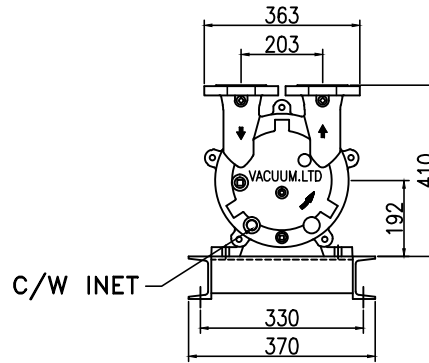
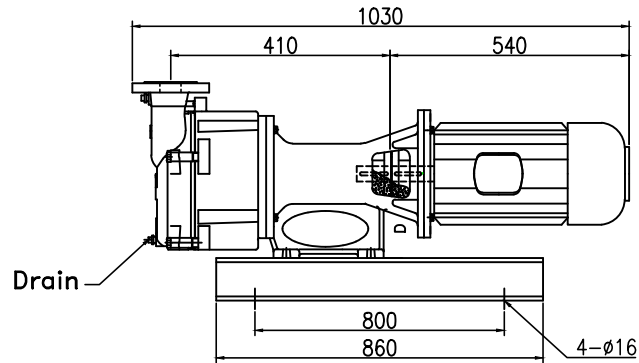
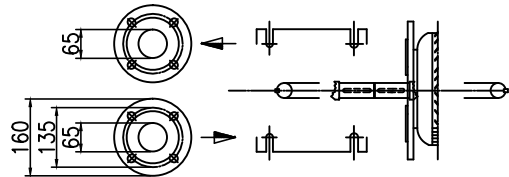


SPECIFICATIONS

Design	2800 Lit./min(50Hz)
Displacement	3500 Lit./min(60Hz)
Speed	1400 r.p.m. (50Hz)
	1750 r.p.m. (60Hz)
Normal usage vacuum pressure	Under Torr
Attainable vacuum pressure	Max 22.5Torr
Suction port diameter	JIS 80A (2) (Option:B.S.P.T)
Motor	Vertical Motor Standard 3-Phase 220/380V 60Hz 8.6kW 4P
Water Capacity	15°C기준 18 L/MIN
Weight	200 Kg
Painting	Color- VL951 (Company's standard)
Allowable ambient temp.	-10'~ 40C

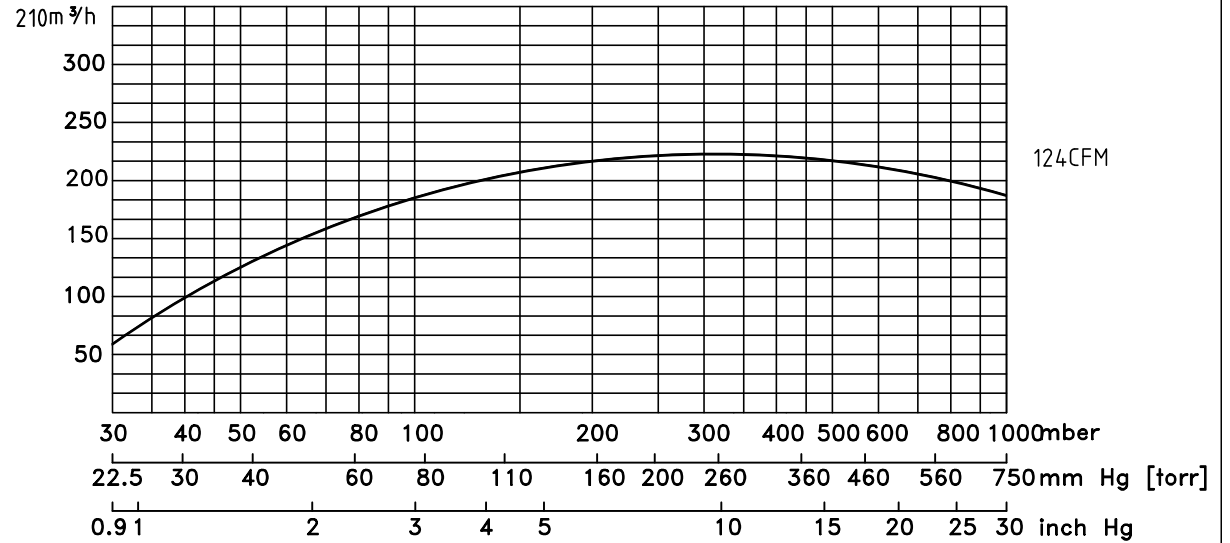
-1 Excluding motor and some other parts.

-IEC FANGE MOTOR 부착기준



Curve referred to dry air at 20°C (68°F) 배기량 SUCTION CAPACITY

냉각수 온도 15°C 기준



ACCESSORIES(Option)

- Vacuum Manual Valve
- Vacuum gauge
- Vacuum Check Valve
- Separator Tank

CONSUMABLE LIST

(Vacuum.ENG GENUINE PARTS)

Designation	Specification	Quantity/set
M/C Seal	Bellows Type ø55	1
Bearing	6310,6208ZZ(Special Heat-resistinggrease)	각 1
Half Coupling	ø115	1
Shaft key	ø38 10x4	1

DWG DATE	SCALE	N/S		TITLE	WATER RING V/P
2020.00.00				CLIENT	
DWG BY	DES BY	CH BY	APPROVE	LOCATION	
진공엔지니어링				DWG NO	JDRP-9S

- 품질 개선을 위해서 예고없이 변경 될수 있음.

- Not binding dimension that can change according to motor make