

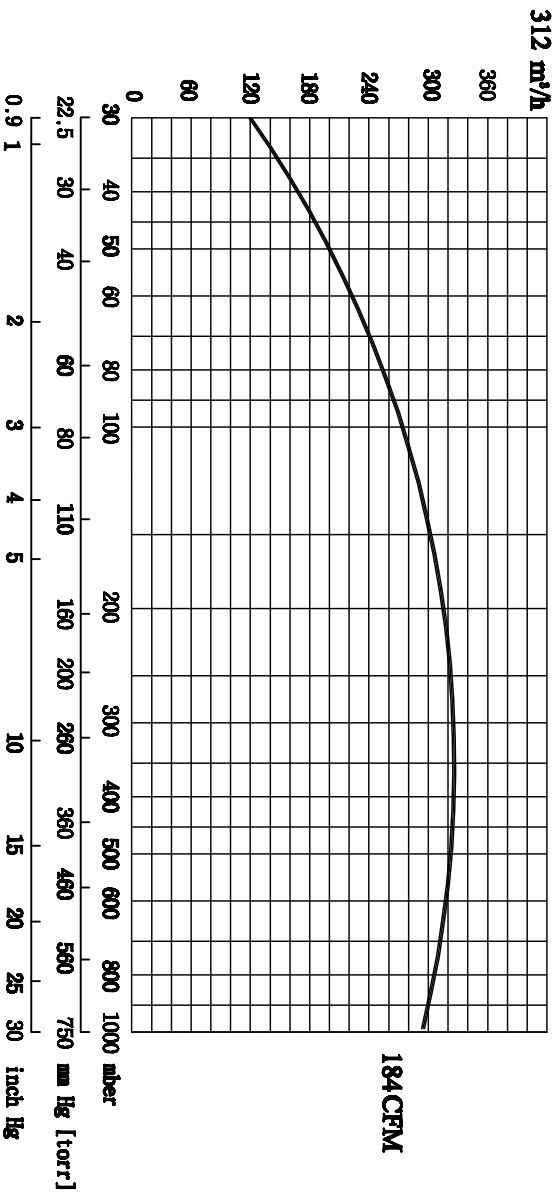
SPECIFICATIONS

| | | |
|----------------------------|--|--------------------|
| Design | 4160 | Lit./min(50Hz) |
| Displacement | 5200 | Lit./min(60Hz) |
| Speed | 1400 r.p.m. (50Hz) | 1750 r.p.m. (60Hz) |
| Normal usage | Under Torr | |
| Attainable vacuum pressure | Max 17torr | |
| Suction port diameter | JIS 65A (2) (Option:B.S.P.T) | |
| Motor | Horizontal Motor Standard 3-Phase 220/380V 60Hz 11kW 4P | |
| Water Capacity | 15 C 기준 27L/MIN | |
| Weight | 340 Kg | |
| Painting | Color- VL951 (Company's standard) | |
| Allowable ambient temp. | -10 - 40C | |

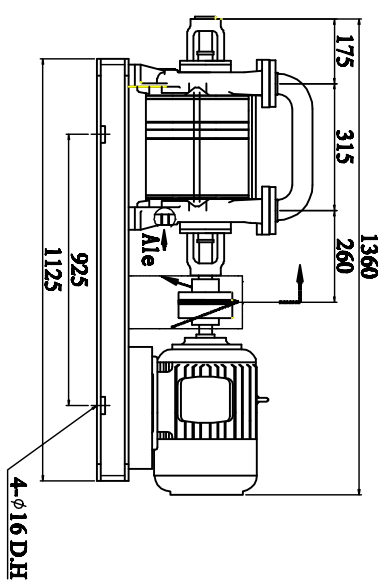
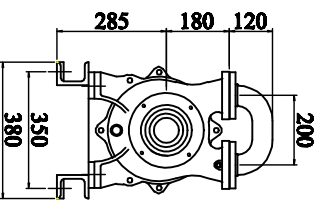
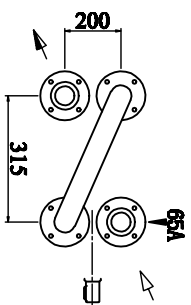
-1 Excluding motor and some other parts.

Curve referred to dry air at 20°C (68°F) 배기량 SUCTION CAPACITY

법리수 온도 15 C 기준



SUCTION



ACCESSORIES(OPTION)

- Vacuum Manual Valve
- Vacuum gauge
- Vacuum Check Valve
- Separator Tank

CONSUMABLE LIST

(VACUUM RING GENUINE PARTS)

| Designation | Specification | Quantity/set |
|---------------|---|--------------|
| M/C Seal | φ45 | 1 |
| Bearing | 6308 ZZ (Special Heat - resisting grease) | 2 |
| Half Coupling | φ130 | 1 |
| Shaft key | φ38 10X8 | 1 |

| | | | |
|------------|-----------|--------|----------------|
| DWG DATE | SCALE | N/S | TITLE |
| 2000.00.00 | | | WATER RING V/P |
| DWG BY | DESIGN BY | CHD BY | APPROVE |
| | | | CLIENT |
| | | | LOCATION |

- 품질 개선을 위해서 예고없이 변경 될수 있음.
- Not binding dimension that can change according to motor make



진공엔지니어링

JHRP2-12